



# Assembly Instructions

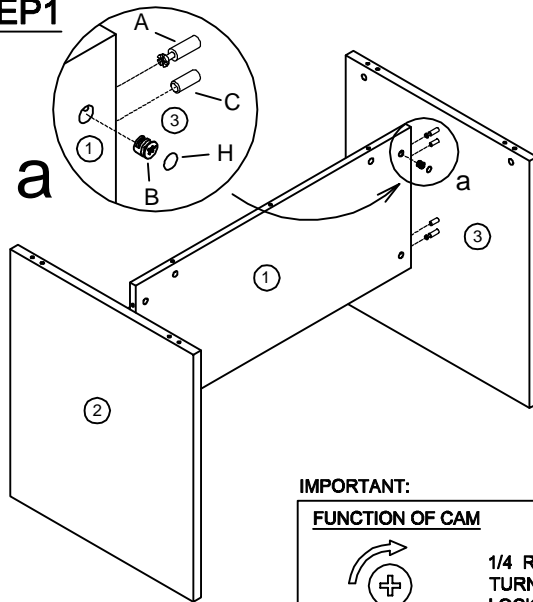
## MODEL NO.: SL7136RS,SL9544RS

LO2/02-09

### R/T CONFERENCE TABLE

CONC10	CONC11	DOWEL	GLIDE	TUN013LB	TUN018SC	PLASTIC CAP	PLASTIC CAP
<b>A</b>  Cam Lock Pin 10Pcs+2Pcs	<b>B</b>  Cam Lock 10Pcs+2Pcs	<b>C</b>  Dowel 9Pcs+2Pcs	<b>D</b>  Glide 4Pcs	<b>E</b>  L-Bracket 5Pcs	<b>F</b>  Screw #4*5/8" 30Pcs+5Pcs	<b>G</b>  DEEP CAMLOCK CAP 4Pcs+1Pcs	<b>H</b>  CAMLOCK CAP 6Pcs+1Pcs

### STEP1



**IMPORTANT:**

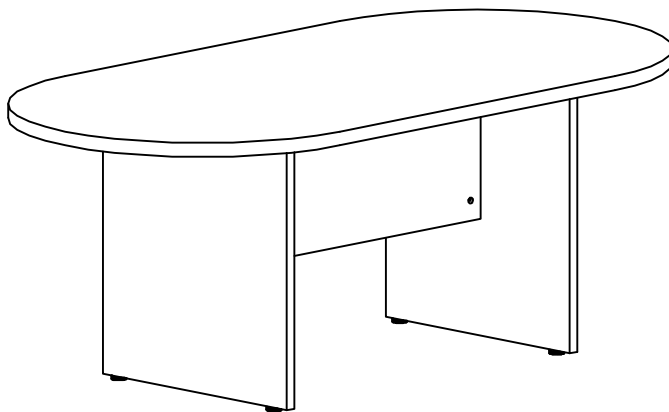
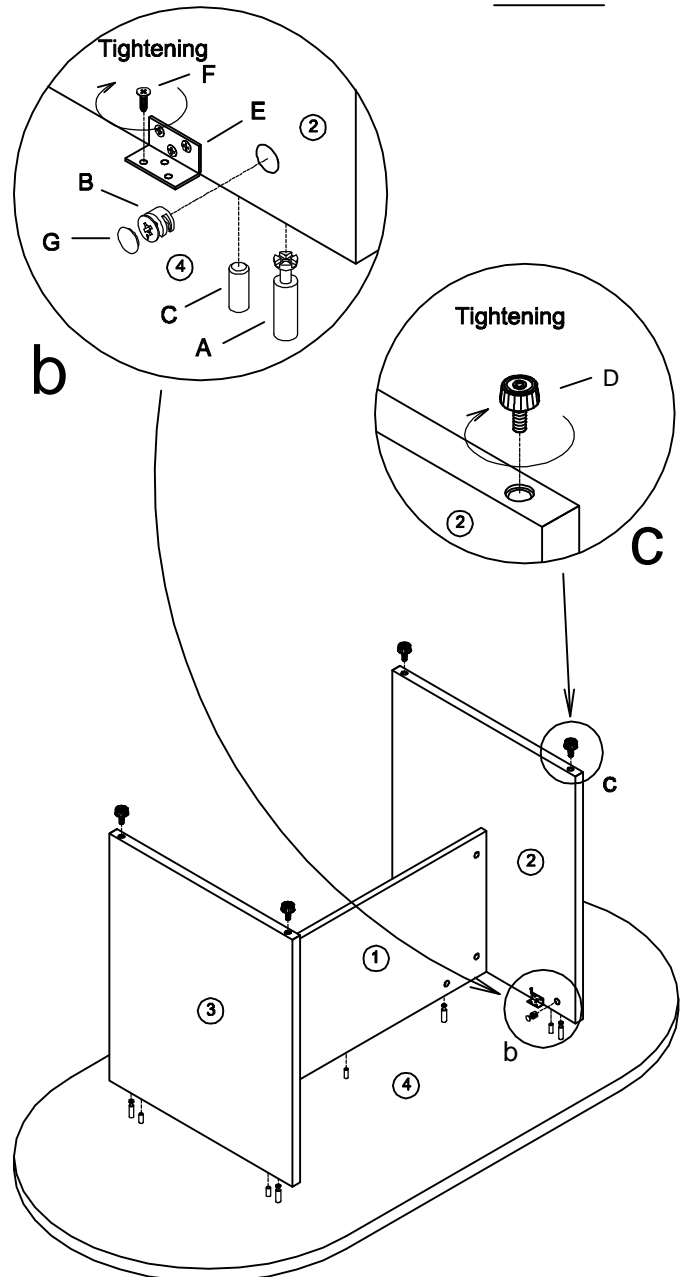
**FUNCTION OF CAM**



**1/4 RIGHT  
TURN FOR  
LOCKING**

**MAKE SURE THE ARROW IS POINTING UPWARDS  
BEFORE INSERTING INTO THE PANEL'S HOLE.**

### STEP2



**COMPLETED ASSEMBLY**

**IMPORTANT NOTE:**

- It is advisable to assemble unit on a carpet to avoid scratch.
- Check to be sure that you have all parts and hardware.
- Don't tighten all screws/bolts until all completely assembled.
- It is recommended to require 2 persons to complete the assembling.